



Calhoun: The NPS Institutional Archive
DSpace Repository

NPS Scholarship

Publications

1998

DC-to-mm-wave-absolute potential
measurements inside digital microwave ICs
using a micromachined photoconductive
sampling probe

David, G.; Whitaker, J.F.; Weatherford, T.R.; Jobe, K.;
Meyer, S.; Bustamante, M.; Goyette, W.; Thomas, S. III;
Elliott, K.

<https://hdl.handle.net/10945/48701>

This publication is a work of the U.S. Government as defined in Title 17, United States Code, Section 101. Copyright protection is not available for this work in the United States.

Downloaded from NPS Archive: Calhoun



Calhoun is the Naval Postgraduate School's public access digital repository for research materials and institutional publications created by the NPS community. Calhoun is named for Professor of Mathematics Guy K. Calhoun, NPS's first appointed -- and published -- scholarly author.

Dudley Knox Library / Naval Postgraduate School
411 Dyer Road / 1 University Circle
Monterey, California USA 93943

<http://www.nps.edu/library>

DC-to-mm-Wave-Absolute Potential Measurements Inside Digital Microwave ICs Using a Micromachined Photoconductive Sampling Probe

G. David ¹, J.F. Whitaker ¹, T.R. Weatherford ², K. Jobe ³, S. Meyer ³, M. Bustamante ³, W. Goyette ^{3*}, S. Thomas III ⁴, and K. Elliott ⁴

1 - Center for Ultrafast Optical Science and Dept. of Electrical Engineering and Computer Science, University of Michigan, Ann Arbor, MI

2 - NPS, Dept. of Electrical and Computer Engineering, Monterey, CA

3 - Hughes Space and Communications Company, Los Angeles, CA

4 - Hughes Research Laboratories, Malibu, CA

* - Currently with TRW Avionics System Division, San Diego, CA

Abstract

A micromachined photoconductive sampling probe is used to determine detailed wave forms at different circuit nodes and corresponding propagation delays from within an InP HBT frequency divider operating at 2.7 GHz. The results demonstrate for the first time the capability of photoconductive probes for absolute-voltage, DC-coupled potential measurements in integrated circuits.

Introduction

In recent years different approaches for in-circuit measurement techniques have been pursued. A number of promising techniques in terms of high spatial resolution and high bandwidth are based on optical measurement methods (e.g. electro-optic sampling as well as photoconductive sampling using freely positionable probes [3-5]). Electro-optic sampling is field sensitive, so that it is well suited for measurements of field distributions [6], while in contrast, photoconductive sampling probes voltages and is thus useful for potential measurements [4]. The majority of the measurements obtained using these techniques yield relative values of the potential or electric field strength, so that calibration routines are necessary to determine the absolute actual value. Moreover, the measurements are typically performed with ac-coupling so that the dc components are not accessible. In this paper we demonstrate that our recently developed, micromachined photoconductive sampling probe [4] of distinguishing absolute microwave signal amplitudes at circuit-internal nodes. Thus, the signal's measured value is equal in size to its actual value, both for the dc and the ac component. To highlight this capability a digital frequency divider

circuit operating at 2.7 GHz has been investigated. Detailed wave forms that vary in shape and frequency at different nodes and the corresponding propagation delays inside the circuit are presented. The measured interconnecting lines have a width of 5 μm , revealing the high spatial resolution of the probe. The results of these time-domain measurements demonstrate the usefulness of the probe, ranging from digital circuit diagnostics and model validation, to characterization of in-circuit electrical transients such as induced by cosmic particles in satellite microelectronics (so-called 'single event effects') [7,8].

Photoconductive Sampling Probe

The probe used consists of an epitaxial layer of a micromachined low-temperature-grown GaAs (see Figure 1) attached to a single mode optical fiber that couples 100 fs laser pulses to a 30 x 30 μm^2 interdigitated photoconductive sampling gate. Integrated with a JFET source follower, the probe has high input impedance and a low capacitance, so that noninvasive measurements of ac electrical signals are possible. The probe has a sensitivity of 15 nV/(Hz)^{1/2} when in conductive contact with the probed node [7]. Due to the high input resistance of the source follower the instantaneous DC voltage at the probe node is present at the source follower without significant degradation and can also be determined at the output of the source follower.

Because the optical input to the probe tip is via an optical fiber, it is easy to position the probe and the compact cross section allows measurements even inside packaged circuits. The 7 μm width of the metal tip provides high spatial resolution, sufficient for today's interconnects in digital microwave circuits. It

should be mentioned that the resolution can easily be increased to the sub- μm range using a conical tip [9] if necessary.

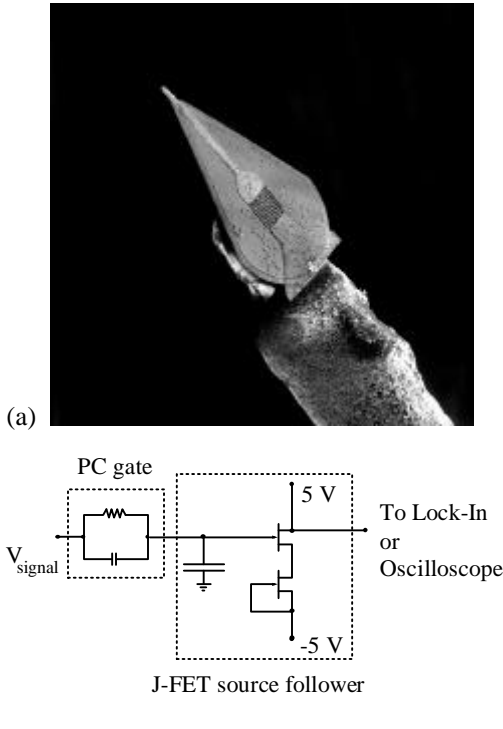


Fig. 1. Photoconductive sampling probe: (a) SEM image, (b) equivalent circuit; the probe is $130\ \mu\text{m} \times 230\ \mu\text{m}$ (at its widest points) by $1\ \mu\text{m}$, The finger size of the interdigital MSM switch is $1.5\ \mu\text{m}$

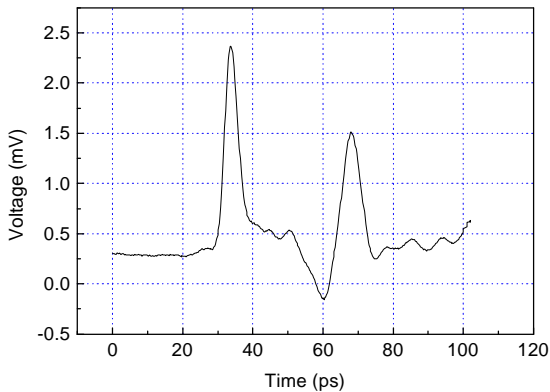


Fig. 2. Measured time response of the photoconductive probe (the second pulse at $t = 70\ \text{ps}$ represents the electrical pulse reflected from the input of the coplanar strip line)

The bandwidth of the probe is measured using a so-called pump-probe style of experiment. The Ti-sapphire laser generates electrical pulses with duration of $\sim 1\ \text{ps}$ on a coplanar strip. Figure 2 shows the

voltage wave form measured by the probe. The t_{FWHM} of $4.2\ \text{ps}$ reveals a bandwidth up to $150\ \text{GHz}$ for this sampling system.

Experimental Setup

The measurements inside the circuit are performed using the experimental setup shown in Figure 3. The basic principle used in this setup is equivalent-time sampling of the microwave signal, with the optically activated photoconductive switch acting as a sampling gate. The setup uses a phase referencing technique to synchronize the microwave signal source and the pulsed laser source in order to cancel out phase fluctuations. The reference signal is generated by a RF mixer with the LO provided by the output signal of a fast photodiode and a fraction of the microwave signal used as the RF. The IF signal triggers a digitizing oscilloscope that records the downconverted wave form of the sampled microwave signal at the probed node including the DC offset.

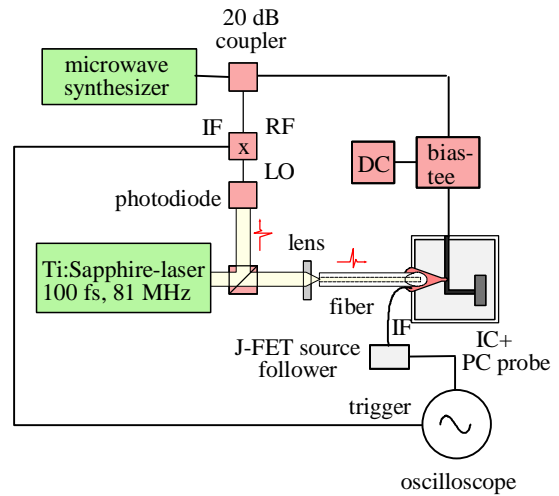


Fig. 3. Experimental setup for digital circuit measurements

Circuit Measurements

The examined circuit, shown in Figure 4's block diagram, is a high speed, InP heterojunction bipolar transistor (HBT) frequency divider [10]. The circuit provides a differential divide-by-four output based on a differential input clock, and is nominally designed to operate at $3.5\ \text{GHz}$. The annotated layout in Figure 5 (last page) shows probing locations (A) - (E) for the entire circuit. The device operated single-endedly, with one side of the differential input floated to its threshold. The

single-ended input was AC-coupled with DC biases set by internal circuit nodes.

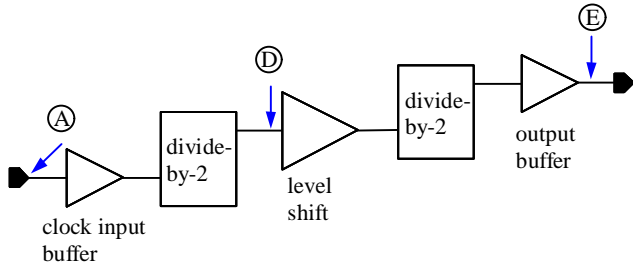


Fig. 4. Block diagram of InP divider circuit (with probing locations (A), (E), and (F))

The single-ended input was probed at location (A) at the input to the clock buffer with results as shown in Figure 6 (a). The 2.7 GHz sinusoidal input at (A) shows both the internal DC level of -2.1 V and the expected input swing of 630 mV peak (0 dBm) to peak.

The differential outputs of the input clock buffer were probed at locations (B) and (C) as shown in the layout. The results are shown in Figure 7 (a) and (b) where (B) is the "true" output and (C) is its complement. The output levels are roughly two diode drops below ground, as expected.

Two cascaded divide-by-two circuits create the divide-by-four function. Figure 8 shows the first stage divide-by-two output probed at position (D) on the layout. Figure 9 shows buffer output probed at position (E) with an output frequency of 675 MHz (2.7 GHz/4), as expected.

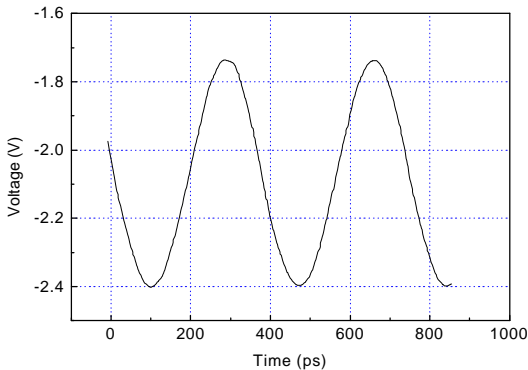
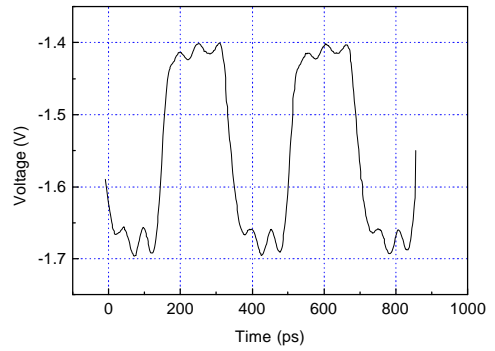
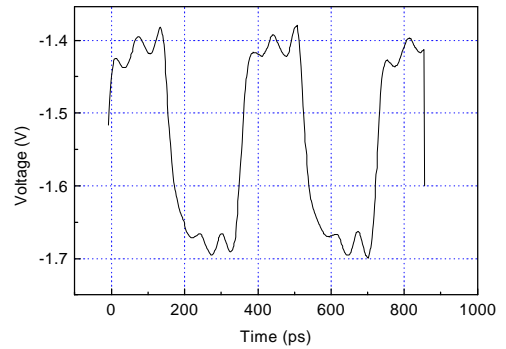


Fig. 6. Sinusoidal microwave input of 2.7 GHz measured at pos. (A)



(a)



(b)

Fig. 7. (a) 'True' output signal of the clock-input buffer section (pos. B), (b) Complement output signal of the clock-input buffer at pos. C

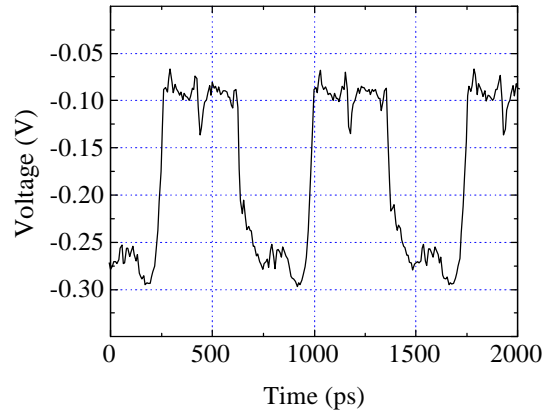


Fig. 8. Output signal of the output buffer at pos.D

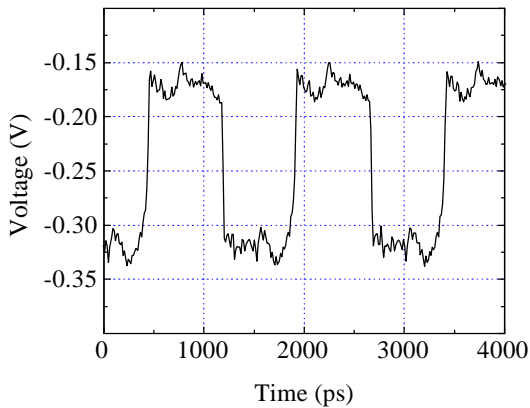


Fig.9. Output signal of the first divide-by-2 at pos. E

Conclusions

In-circuit measurement capabilities of a micro-machined photoconductive probe tip are presented, revealing that the probe has potential as a diagnostic tool for IC testing (*e.g.*, for gate delays, faults, *etc.*), with high spatial resolution, high time resolution, and low interference with the device under test. Special emphasis is laid on the fact that absolute voltages (both for dc and ac) are accessible with a bandwidth exceeding 100 GHz.

Acknowledgment -This work has sponsored by the National Science Foundation through the Center for Ultrafast Optical Science under STC PHY 8920108, by the AFOSR, Air Force Materiel Command, USAF, under grant No. DOD-G-F49620-95-1-0027 and by the Alexander von Humboldt-Foundation, Germany

References

1. B.H. Kolner and D.M. Bloom, "Electrooptic sampling in GaAs integrated circuits", *IEEE J. Quantum Electron.*, vol. QE-22, (1986), 79-93.
2. J. Valdmanis and G. Mourou, " Subpicosecond electrooptic sampling: Principles and applications", *IEEE Quantum Electron.*, vol. QE-22, (1986), 69-78
3. T. Pfeifer, H.-M. Heiliger, E. Stein von Kaminski, H.G. Roskos, and H. Kurz, *J. Opt. Soc. Am. B* 11, 2547 (1994)
4. R.K. Lai, J.-R. Hwang, J. Nees, T.B. Norris, and J.F. Whitaker, *Appl. Phys. Lett.* **69**, 1843 (1996)
5. K. Takeuchi, A. Mizuhara, OSA Spring Topical Meeting 'Ultrafast Electronics and Optoelectronics', Technical Digest p.151 (1997)
6. G. David, R. Tempel, I. Wolff, and D. Jäger (1996), "Analysis of microwave propagation effects using 2D

electro-optic field mapping techniques", *Optical and Quantum Electronics*, vol. 28, 919-931 (1996)

7. Ledbetter, T. Weatherford, G. David, J. Hayden, R. Lai and J. Whitaker: "In-situ picosecond resolution measurements of SEU transients in GaAs Logic", accepted for *IEEE Transactions of Nuclear Science*
8. G. David, J. Whitaker, E. Ledbetter, T. Weatherford, D. Fouts, W. Goyette, K. Jobe, and K. Elliott, "A picosecond-response photoconductive-sampling probe for digital circuit testing", *IEEE LEOS'97*, San Francisco, USA
9. J. Nees, S. Wakana, and S. Hama, *Opt. Quantum Electron.* 28, 843 (1996)
10. F. Jensen, W. E. Stanchina, R. A. Metzger, D. B. Rensch, R. F. Lohr, R. W. Quen, M. W. Pierce, Y. K. Allen, and P. F. Lou, "AllInAs/GaInAs HBT IC Technology," *IEEE J. Solid-State Circuits*, Vol. 26, p. 415 (1991)

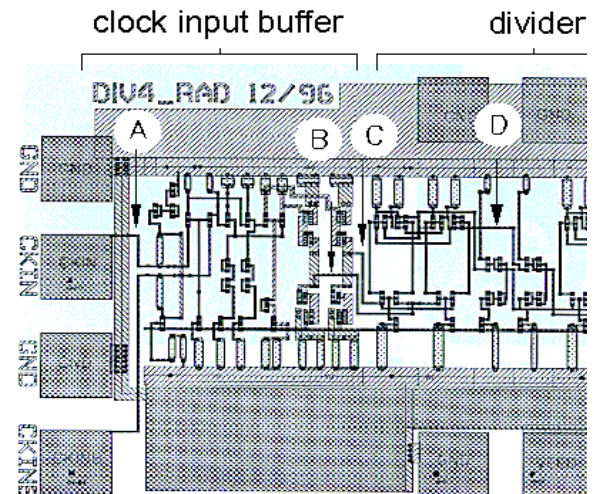


Fig. 5. Investigate InP frequency divider circuit