



## Pushing the digital thread into the early Acquisition Process: Product Lifecycle Management

Title	Pushing the digital thread into the early Acquisition Process: Product Lifecycle Management
Item Type	Presentation
Authors	Uchmanowicz, Lawrence
URI	<a href="https://hdl.handle.net/10945/62972">https://hdl.handle.net/10945/62972</a>
Publisher	Monterey, California. Naval Postgraduate School
Date Issued	2019-05-13
Rights	This publication is a work of the U.S. Government as defined in Title 17, United States Code, Section 101. Copyright protection is not available for this work in the United States.
Download date	2026-04-14 12:42:01
Link to Item	<a href="https://hdl.handle.net/10945/62972">https://hdl.handle.net/10945/62972</a>

Downloaded from NPS Archive: Calhoun



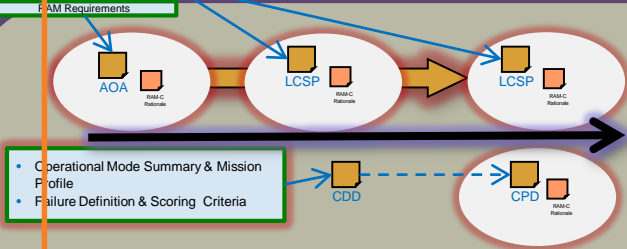
## The Objective

- Describe and configure a PLM prototype for United States Air Force (USAF) early acquisition program activities from DoD 5000.2 pre-Milestone A up to Milestone B process.
- Take a design from one program and, with the oversight of the Subject matter Experts within the Air Force, proving out a template that will work for all other programs.
- This includes forms of acquisition where down-select has not been performed, or where more than two vendors may be included within Technical Maturity Readiness Review (TMRR).



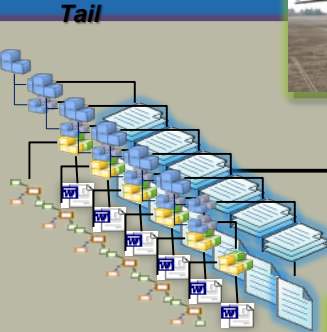
- ID Key R&M Cost Drivers
- Failure Definition/Scoring Criteria
- Reliability Allocations
- Feasibility Analysis

To here.



- Operational Mode Summary & Mission Profile
- Failure Definition & Scoring Criteria

- Requirements
- Logical Models
  - Analytics
  - Reporting
- Documents
  - CDRLs
- Parts/systems
- Supporting Technical Data

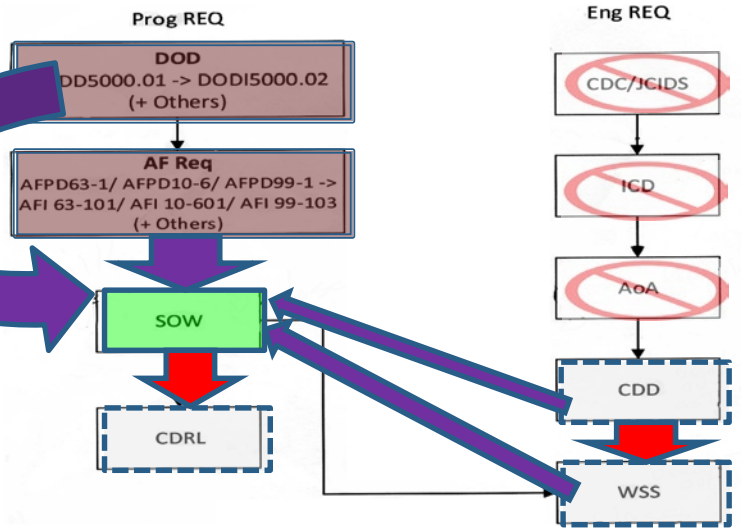


Move the focus from here...

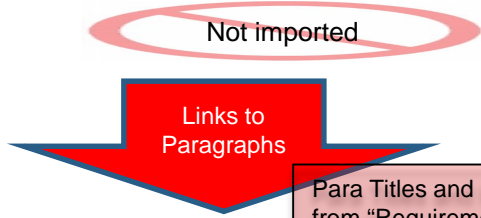
Teamcenter



# Requirements Management Process



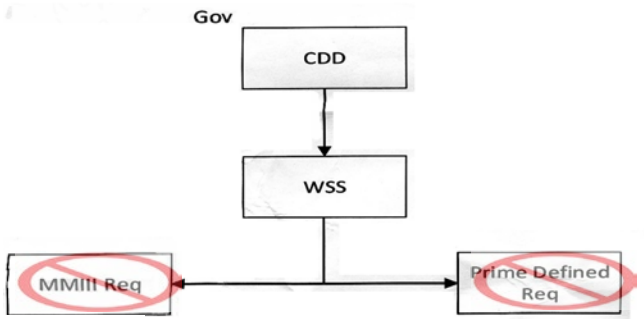
CDC = Capability Development Council  
 JCIDS = Joint Capabilities Integration & Development System  
 ICD = Initial Capability Document  
 AoA = Analysis of Alternatives  
 CDD = Capability Development Document  
 WSS = Weapon System Spec



Para Titles and links derived from "Requirements Traceability with Dist D"



Creation of Specs and mapping derived from SOW Table A



Requirements Cameo Doors TC Req

Architecture  
 - Enduring Arch  
 - Analytical Arch  
 - Gov Arch



# Workflows

## BP – Submittal Approval

